

# Steelco

**Miele**

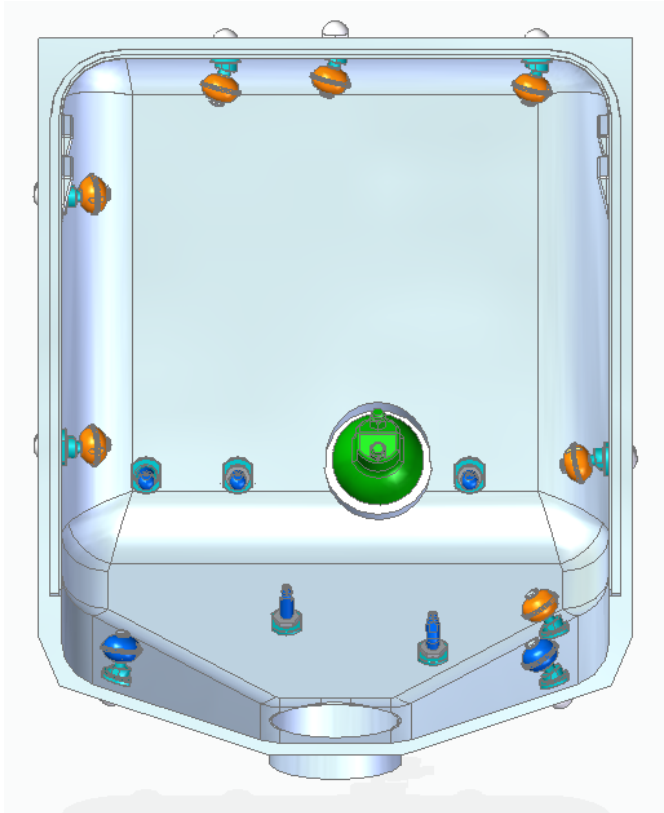
**Group  
Member**

## BP 100



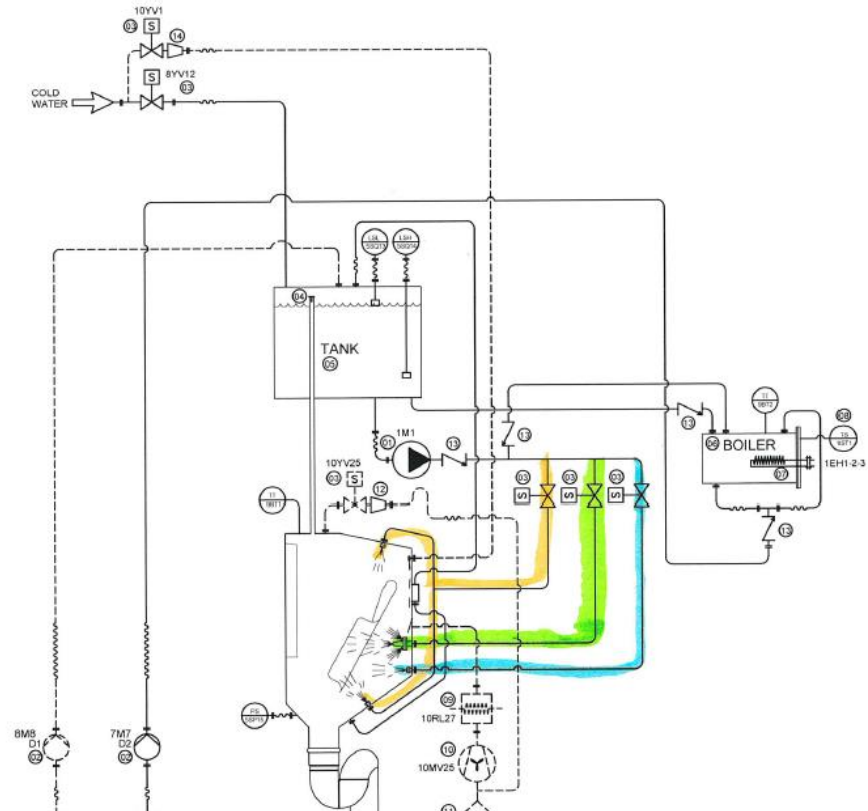
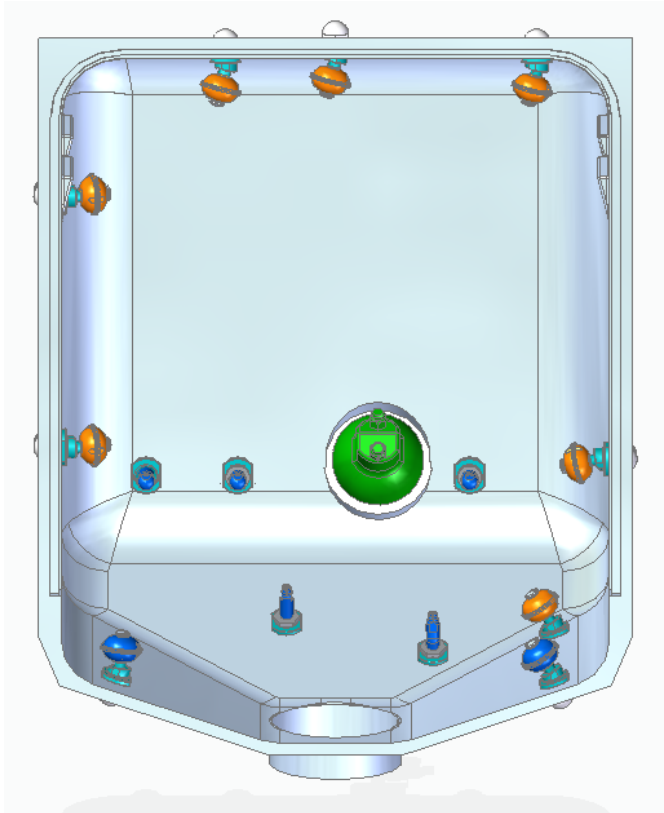
# BP 100 HE – High pressure option

High efficiency nozzles, motorized main nozzle



# BP 100 HE – High pressure option

Three separate washing circuits, high pressure pump

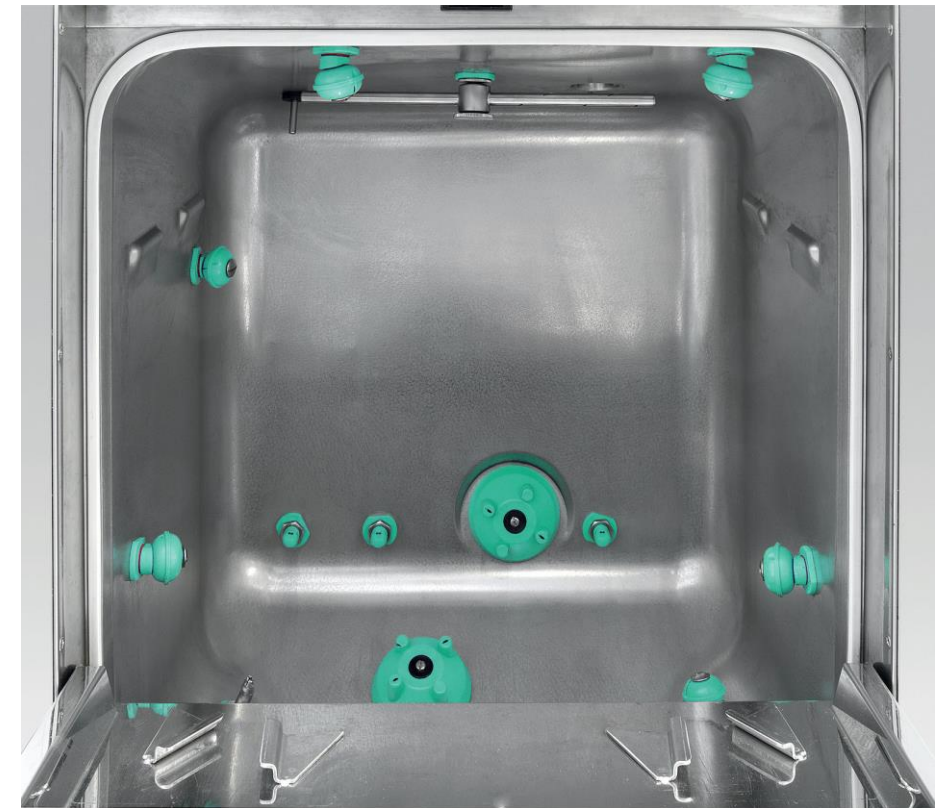


## BP 100 HE – High pressure option

- New patented washing technology
- Increased the mechanical action of water
- Reduced media consumption and cycle time

Cycle	Total water (l)	Cycle time (min)
Short	23,4	7'
Standard	26,7	7' 20"
Intensive	37,8	9'

- Sound reduction



Available in 2022

# BP 100 HE – High pressure option



**Miele** Group Member



# Current range



	<b>BP100</b>	<b>BP 100 HSER</b>	<b>BP 100 HE</b>	<b>BP 100 H</b>	<b>BP 100 HXL</b>	<b>BP 100 HLA</b>
<b>Width</b>	600 mm	450 mm	545 mm	540 mm	600 mm	600 mm
<b>Wall install.</b>	N/A	505 mm	595 mm	N/A	N/A	N/A
<b>Bedpan</b>	1	1	1	1	2	1
<b>Urine bottles</b>	3	2	3	4	4	2

# Future range



	<b>BP100</b>	<b>BP 100 HSER</b>	<b>BP 100 HE</b>	<del><b>BP 100 H</b></del>	<b>BP 100 HXL</b>	<b>BP 100 HLA</b>
<b>Width</b>	600 mm	450 mm	500 mm	<del>N/A</del>	600 mm	600 mm
<b>Wall install.</b>	N/A	505 mm	595 mm	<del>N/A</del>	N/A	N/A
<b>Bedpan</b>	1	1	1	<del></del>	2	1
<b>Urine bottles</b>	3	2	3	<del></del>	4	2

## BP 100 G2 serie – Future range

- Extension of new technologies to the whole range
- width = 500 mm version
- New control panel
- Improved ergonomics
- New design



*Images for illustrative purposes*